

# Indexable Notching Head

**Outer diameter:** 10" and 12"

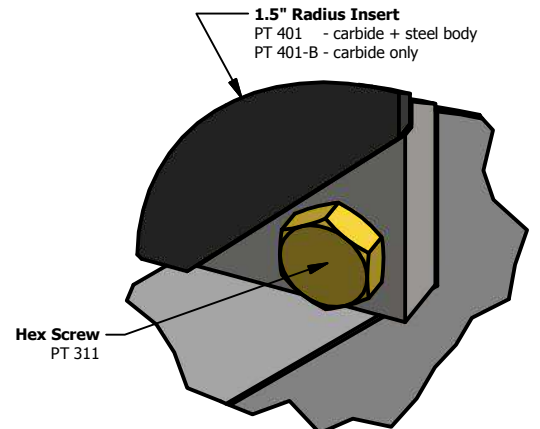
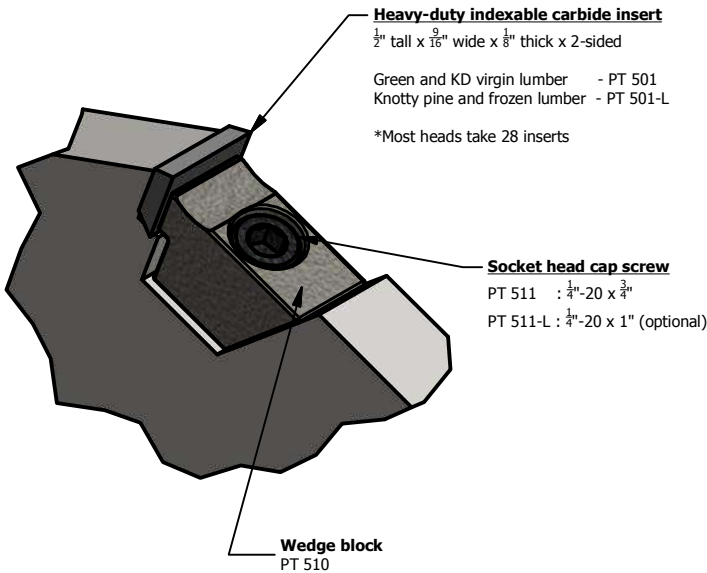
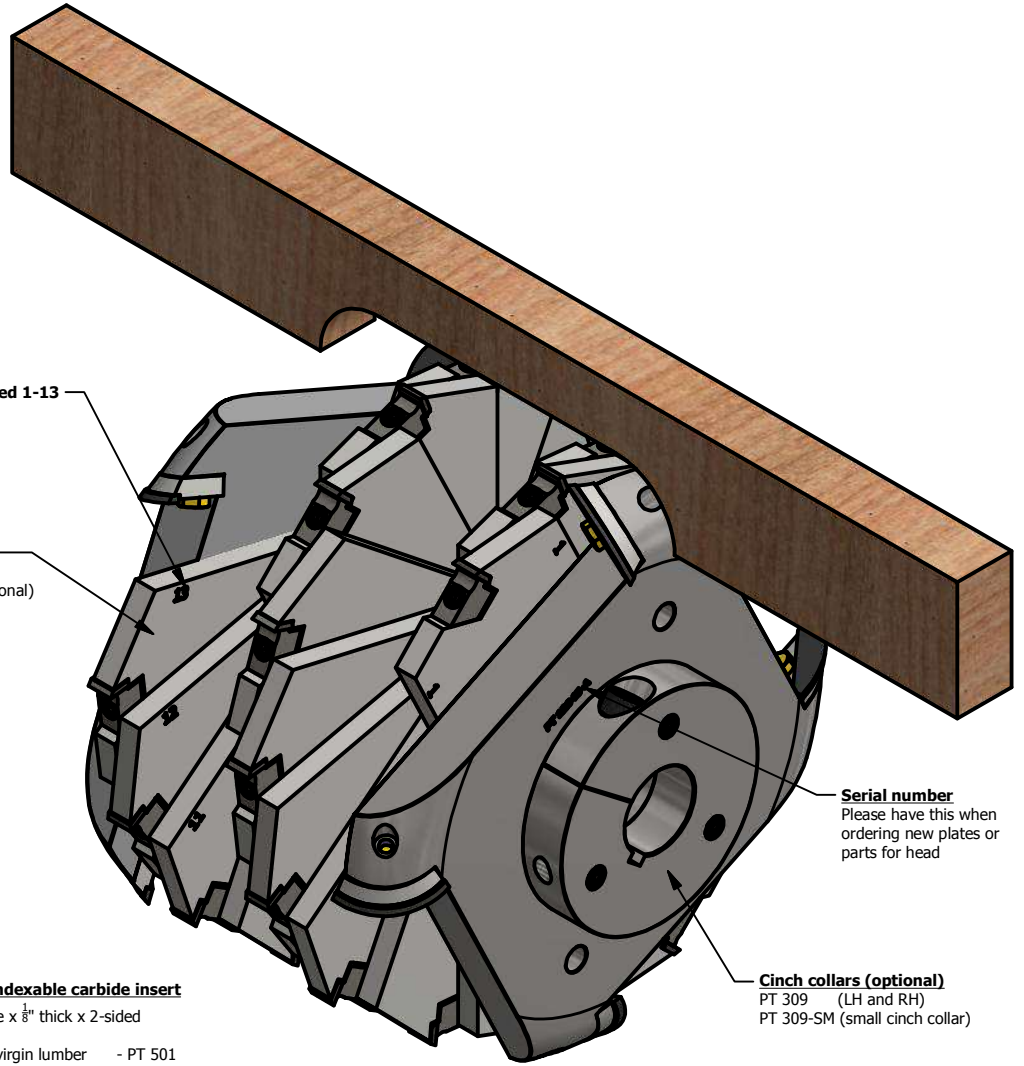
**Cut width:** 3" to 14"

**Inner diameter:** 1.5" to 3"

**Radius:** 1.5" corners (3" diameter)

Indexable carbide inserts (reversible)

**Keyway:** 3/8", 1/2"



## PROFILE TECHNOLOGY INC.

Custom Engineered Tooling and Machinery

300 Seebold Spur  
Fenton, MO 63026  
www.profiletech.com

(800) 369-4242 toll free  
(314) 965-9111 main  
(314) 966-5550 fax  
info@profiletech.com