

Indexable Hogger Saw

Outer diameter: 8" - 14"

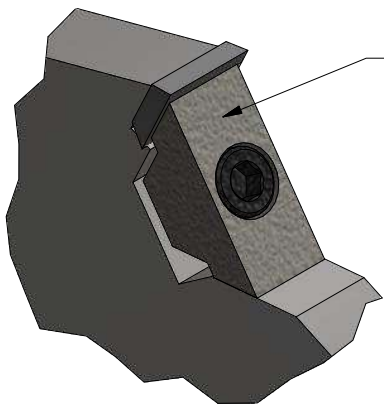
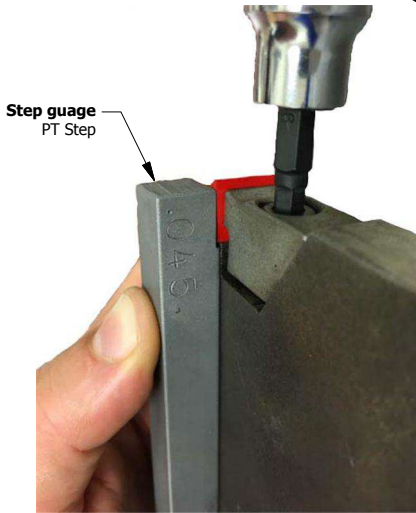
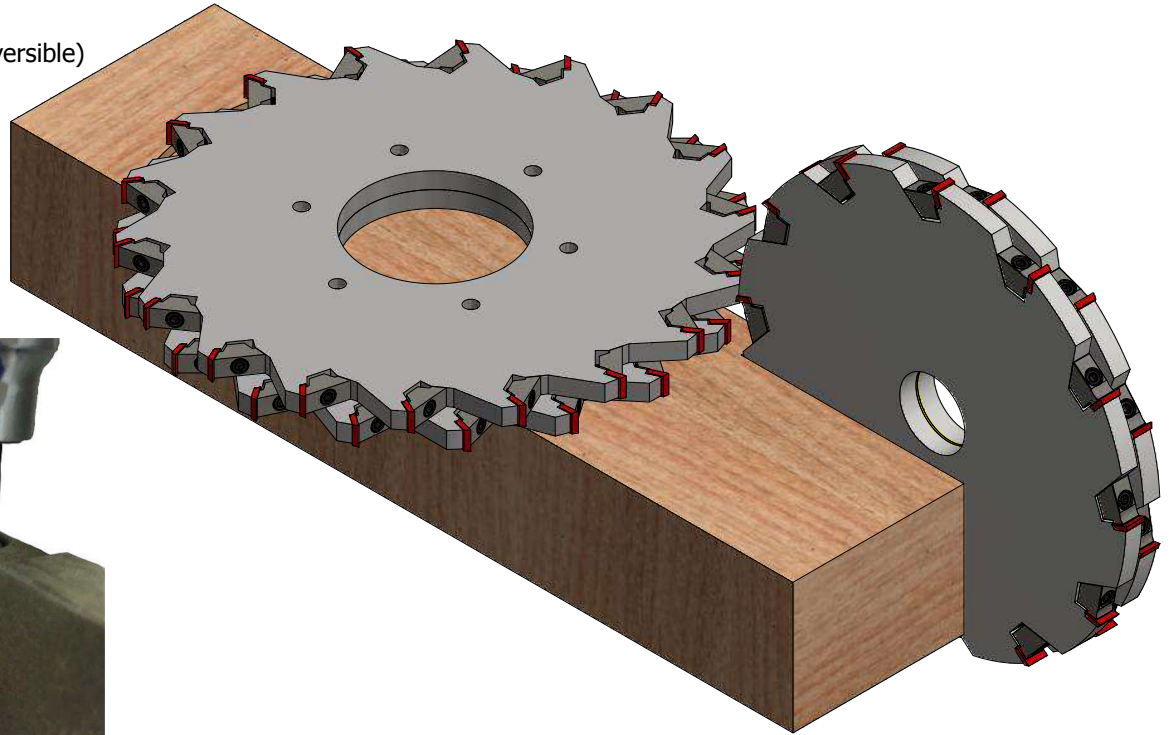
Depth of cut: $\frac{1}{2}$ "-1"

Width of cut: up to 6"

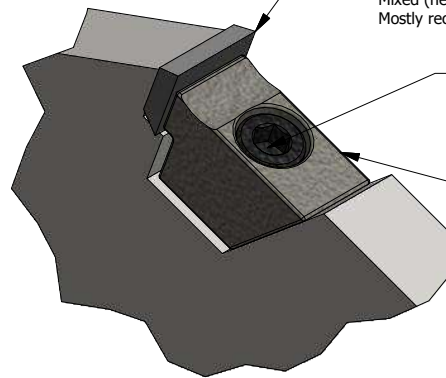
Indexable carbide inserts (reversible)

Keyed or mounting hub

4 - 24 Wing configurations



Wedge block
PT 515



Heavy duty indexable carbide insert

$\frac{1}{2}$ " tall x $\frac{3}{8}$ " wide x $\frac{1}{8}$ " thick x 2-sided

- New lumber (green or KD) - PT 501-2 (red)
- Frozen or knotty lumber - PT 501-2L (blue)
- Mixed (new wood + recycled) - PT 501-2N (white)
- Mostly recycled wood - PT 501-NX

Socket head cap screw

PT 511 : $\frac{1}{4}$ "-20 x $\frac{3}{4}$ "

PT 511-L : $\frac{1}{4}$ "-20 x 1" (optional)

Wedge block
PT 510



PROFILE TECHNOLOGY INC.

Custom Engineered Tooling and Machinery

300 Seebold Spur
Fenton, MO 63026
www.profiletech.com

(800) 369-4242 toll free
(314) 965-9111 main
(314) 966-5550 fax
info@profiletech.com

