

Indexable Band Notch Cutter

Diameter: 6" - 14"

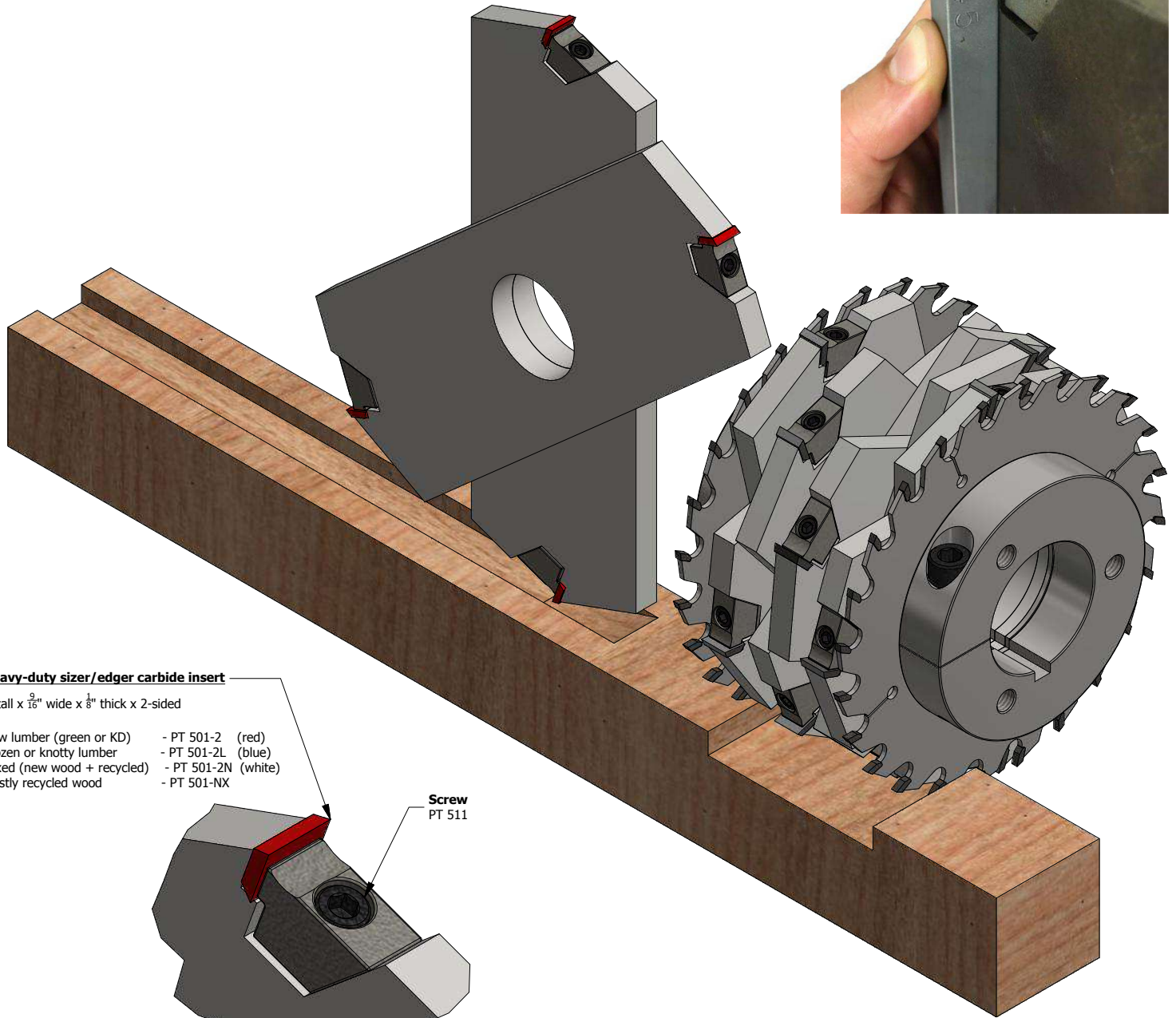
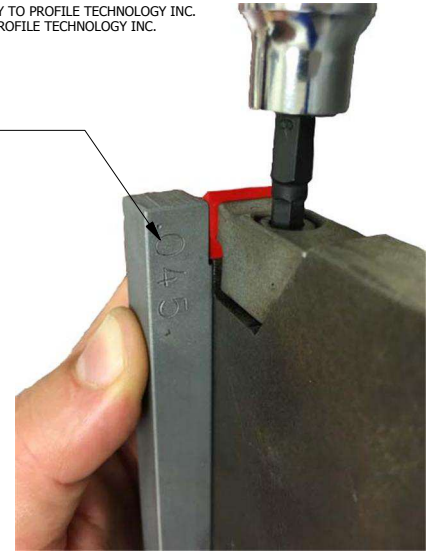
Width: $\frac{1}{2}$ ", $\frac{3}{4}$ ", 1", $1\frac{1}{4}$ ", $1\frac{1}{2}$ ", $1\frac{3}{4}$ ", 2"

Multiple Tooth Configurations to Match Speed and Depth Parameters

Indexable Carbide Inserts (reversible)

Keyed: $\frac{1}{4}$ ", $\frac{3}{8}$ ", $\frac{1}{2}$ "

PT STEP
Step gauge

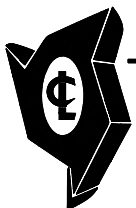


Heavy-duty sizer/edger carbide insert

$\frac{1}{2}$ " tall x $\frac{9}{16}$ " wide x $\frac{1}{8}$ " thick x 2-sided

- | | |
|-----------------------------|---------------------|
| New lumber (green or KD) | - PT 501-2 (red) |
| Frozen or knotty lumber | - PT 501-2L (blue) |
| Mixed (new wood + recycled) | - PT 501-2N (white) |
| Mostly recycled wood | - PT 501-NX |

Screw
PT 511



PROFILE TECHNOLOGY INC.

Custom Engineered Tooling and Machinery

300 Seebold Spur
Fenton, MO 63026
www.profiletech.com

(800) 369-4242 toll free
(314) 965-9111 main
(314) 966-5550 fax
info@profiletech.com

